

Quartz Crystals

Surface Mount		Thru - Hole type		32.768 KHz	Frequency Tolerance options		
X2012 [2.05 * 1.2 * 0.55 mm]	X3215 [3.2 * 1.5 * 0.8 mm]	T26 [2.0ø * 6.0 mm]	T38 [3.0ø * 8.0 mm]		± 5 ppm	± 10 ppm	± 20 ppm

Features

Specifications

Ultra compact, thin, and light weight tuning fork crystal unit

- Excellent heat resistance and environmental characteristics
- Excellent electrical performance optimum for mobile communications, OA (office automation) and AV (audiovisual) applications
- RoHS Compliant. Meets the re-flow profiling requirements using lead-free solder



General Specifications

Frequency Range	32.768 KHz			
Hold type	Surface Mount Type		Thru - Hole Type	
Item / Type	X2012	X3215	T26	T38
Package sizes	[2.05 * 1.2 * 0.55 mm]	[3.2 * 1.5 * 0.8 mm]	[2.0ø * 6.0 mm]	[3.0ø * 8.0 mm]
Shunt Capacitance	1.3 pF (typ.) / 1.5 pF (max.)		1.5 pF (max.)	0.9 pF (max.)
Equivalent series resistance	80 KΩ (max.)		40 KΩ (max.)	35 KΩ (max.)
Temperature coefficient	- 0.04 x 10 ⁻⁶ / °C ² (max.)		- 0.035 x 10 ⁻⁶ / °C ² (max.)	
Drive Level	0.1 μW (typ.) 0.5 μW (max.)		1.0 μW (typ.)	
Operating Temperature Range	- 40 °C to 85 °C		- 10 °C to 60 °C	
Storage Temperature Range	- 40 °C to 125 °C		- 40 °C to 85 °C	
Crystal Cut	XT - Cut			
Load Capacitance	7 pF , 9 pF or 12.5 pF			
Frequency Tolerance	± 5 ppm , ± 10 ppm , ± 20 ppm (max.) at 25°C			
Turning POINT	+ 25 °C ± 5 °C			
Insulation resistance	500 MΩ min.			

Outline Dimensions (Unit : mm)

X2012	X3215
T26	T38

Part Number Formats and Product Marking Rules

Quartz Crystals

Holder Type

SMD type :	X11	X21	X22	X32	MJ	MQ	M49	ML49	MP5	MP4	MP25	MP24
	X2012	X3215										
Dip type :	H49	HUS	HUSL	U1	U5	T38	T26					
Jacket type :	H49MJ	49TMJ	U1MJ	U5MJ	T26MJ							
Gull wing :	H49SM	49TSM	U1SM	U5SM	T26SM							

Part Number Format

	[1] Holder Type	-	[2] Center Freq.	-	[3] CL	-	[4] Freq. Tolerance	/	[5] Freq. Stability	[6] Operating Temp. Range Code	/	[7] Special ESR
Example (1)	H49	-	40.000A3	-	12	-	30	/	30	X		
(2)	X32	-	26.000	-	16	-	30	/	30	X	/	20R
(3)	MJ	-	12.000	-	20	-	10	/	10	W		
(4)	M49	-	24.000	-	18	-	20	/	30	H	/	15R

- Ex (1) : H49 - 40.000A3 - 12 - 30 / 30 X [49/U type , 40.000MHz, AT-cut 3rd overtone, 12pF, ±30ppm (25°C), ±30ppm (-10°C to 60°C)]
 Ex (2) : X32 - 26.000 - 16 - 30 / 30 X / 20R [X32 type, 26.000MHz, 16pF, ±30ppm (25°C), ±30ppm (-10°C to 60°C), 20 Ω]
 Ex (3) : MJ - 12.000 - 20 - 10 / 10 W [MJ type, 12.000MHz, 20pF, ±10ppm (25°C), ±10ppm (0°C to 50°C)]
 Ex (4) : M49 - 24.000 - 18 - 20 / 30 H / 15R [M49 type , 24.000MHz, 18pF, ±20ppm (25°C), ±30ppm (-30°C to 85°C), 15 Ω]

[1]	Holder Type																														
[2]	Center frequency . Please add " A3 , A5 or B " after the " Freq. in MHz " for the quartz cut other options . Blank : AT-cut fund. mode ; A3 : AT-cut 3rd overtone ; A5 : AT-cut 5th overtone ; B : BT-cut fund. mode																														
[3]	Load Capacitance (CL) : series (spec. code is " S ") or Parallel (If parallel , please specify CL value , typical CL ranges from 8 to 32 pF) Available Options " V " = Vinyl sleeve around holder , " K " = 3rd lead at bottom center , " R " = On reel " G " = 3rd lead at top center , " I " = Teflon insulator at bottom																														
[4]	Calibration tolerance value : freq. tolerance value (at 25°C) , industrial temp. range																														
[5]	Frequency Stability , industrial temp. range																														
[6]	Temp. Range Options																														
	<table border="1"> <tr> <td>W</td> <td>0°C ~ +50°C</td> <td>X</td> <td>-10°C ~ +60°C</td> <td>Y</td> <td>-20°C ~ +70°C</td> <td>F</td> <td>-30°C ~ +70°C</td> <td>G</td> <td>-10°C ~ +80°C</td> </tr> <tr> <td>H</td> <td>-30°C ~ +85°C</td> <td>I</td> <td>-40°C ~ +85°C</td> <td>J</td> <td>-40°C ~ +90°C</td> <td>K</td> <td>-40°C ~ +105°C</td> <td>M</td> <td>-55°C ~ +105°C</td> </tr> <tr> <td>N</td> <td>-55°C ~ +125°C</td> <td>Z</td> <td>Customized</td> <td></td> <td></td> <td></td> <td></td> <td></td> <td></td> </tr> </table>	W	0°C ~ +50°C	X	-10°C ~ +60°C	Y	-20°C ~ +70°C	F	-30°C ~ +70°C	G	-10°C ~ +80°C	H	-30°C ~ +85°C	I	-40°C ~ +85°C	J	-40°C ~ +90°C	K	-40°C ~ +105°C	M	-55°C ~ +105°C	N	-55°C ~ +125°C	Z	Customized						
W	0°C ~ +50°C	X	-10°C ~ +60°C	Y	-20°C ~ +70°C	F	-30°C ~ +70°C	G	-10°C ~ +80°C																						
H	-30°C ~ +85°C	I	-40°C ~ +85°C	J	-40°C ~ +90°C	K	-40°C ~ +105°C	M	-55°C ~ +105°C																						
N	-55°C ~ +125°C	Z	Customized																												
[7]	If non-standard please enter the desired ESR (Equivalent Series Resistance) after " / " , for example " 20R " : 20Ω																														

Production Marking Rules

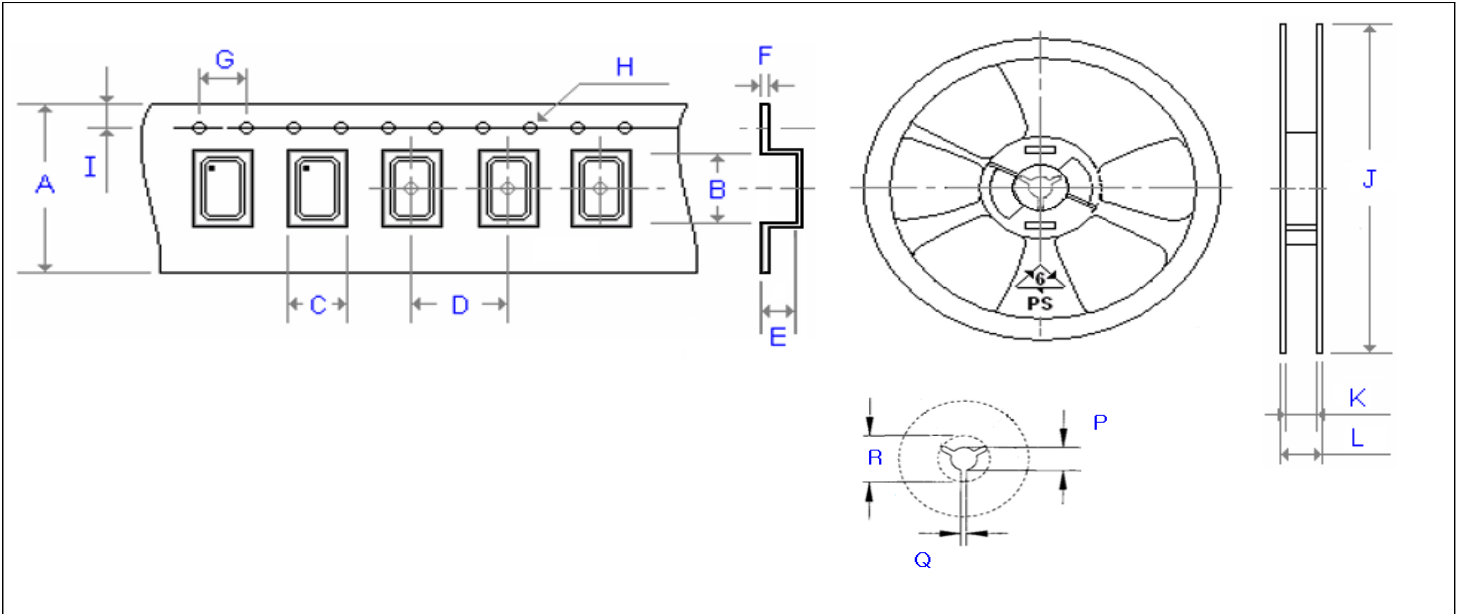
General X'tal package type marking rules	MQ, MJ marking rules	X22, X32 marking rules
<p>(Cutting method) : A : AT-cut (fundamental) B : BT-cut (fundamental) 3 : AT-cut (3rd overtone) 5 : AT-cut (5th overtone) C : CT-cut (fundamental) SL : SL-cut (fundamental) SC : SC-cut (3rd overtone)</p> <p>(month) : Table 2 (Year) : ex: 2020 --- 0 2021 --- 1</p> <p>Load capacitance (CL) : Table 1</p>	<p>(Cutting method) : A : AT-cut , fundamental B : BT-cut , fundamental 3 : AT-cut , 3rd overtone 5 : AT-cut , 5rd overtone</p>	
<h4>X11 marking rules</h4>		<h4>X21 marking rules</h4>

Table 1	CL	< 10	10	11	12	13	14	15	16	17	18	19	20	21	22	23	24	25	26	27	28	29	30	31	32	33	34	>34	Series
	Code	A	B	C	D	E	F	G	H	I	J	K	L	M	N	O	P	Q	R	S	T	U	V	W	X	Y	Z	a	b
Table 2	Month	Jan.	Feb.	Mar.	Apr.	May	Jun.	Jul.	Aug.	Sep.	Oct.	Nov.	Dec.																
	Code	A	B	C	D	E	F	G	H	I	J	K	L																

Emboss Taping and Reel Specifications

[Crystal Units]

[M . C . F . Units]



Carrier Type Dimensions (unit : mm) ±0.3mm

	A	B	C	D	E	F	G	H	I	pcs / reel
X11	8.00	1.79	1.39	4.00	0.45	0.25	4.00	Ø 1.50	1.75	3000
X21	8.00	2.30	1.90	4.00	0.60	0.20	4.00	Ø 1.50	1.75	3000
X22	8.00	2.80	2.25	4.00	1.10	0.30	4.00	Ø 1.50	1.75	3000
X32	8.00	3.40	2.70	4.00	1.40	0.25	4.00	Ø 1.50	1.75	3000
X2012	8.00	2.25	1.45	4.00	0.75	0.25	4.00	Ø 1.50	1.75	3000
X3215	12.00	3.40	1.75	4.00	0.87	0.32	4.00	Ø 1.50	1.75	3000
MJ	12.00	5.30	3.60	8.00	1.40	0.30	4.00	Ø 1.50	1.75	1000
MQ	16.00	7.20	5.40	8.00	1.80	0.30	4.00	Ø 1.50	1.75	1000
M49	24.00	15.00	5.00	12.00	4.25	0.40	4.00	Ø 1.50	1.75	1000
ML49	24.00	14.80	5.00	12.00	3.50	0.40	4.00	Ø 1.50	1.75	1000
MP4 (24)	24.00	13.30	5.10	12.00	4.20	0.40	4.00	Ø 1.50	1.75	1000
MP5 (25)	24.00	13.40	5.10	12.00	5.20	0.40	4.00	Ø 1.50	1.75	1000

Reel Dimensions (unit : mm) ±2mm

	J	K	L	P	Q	R	pcs / reel
X11	180.00	8.40	11.40	13.00	2.50	20.20	3000
X21	180.00	8.40	11.40	13.00	2.50	20.20	3000
X22	180.00	8.40	11.40	13.00	2.50	20.20	3000
X32	180.00	9.00	12.00	13.00	2.50	20.20	3000
X2012	180.00	9.00	11.40	13.00	2.50	20.20	3000
X3215	180.00	13.00	15.40	13.00	2.50	20.20	3000
MJ	180.00	13.00	16.00	13.00	2.50	20.20	1000
MQ	180.00	17.20	19.30	13.00	2.50	20.20	1000
M49	330.00	24.50	29.10	13.00	2.50	20.20	1000
ML49	330.00	24.50	29.10	13.00	2.50	20.20	1000
MP4 (24)	330.00	24.50	29.10	13.00	2.50	20.20	1000
MP5 (25)	330.00	24.50	29.10	13.00	2.50	20.20	1000