

49T

[11.5 * 4.5 * 11.2 mm]

Dip Type

Jacket Type

Fundamental

10.7 MHz

10.8 MHz

2 poles

4 poles

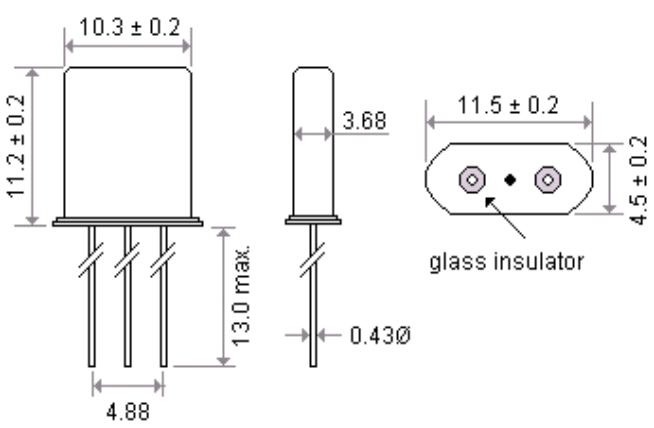
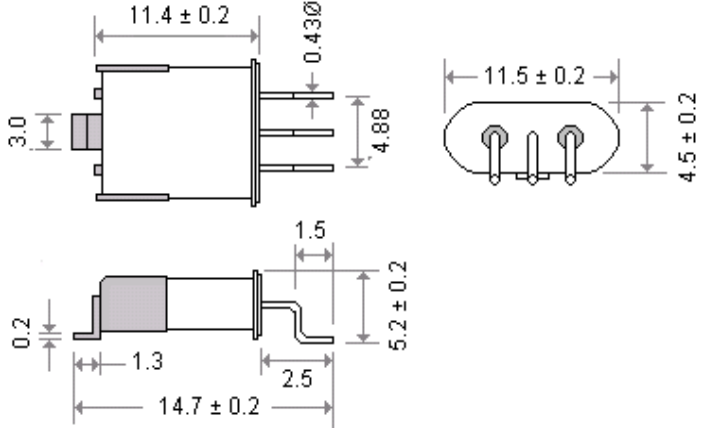
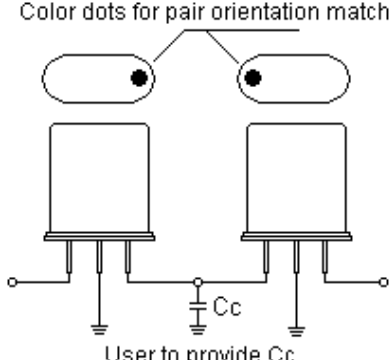
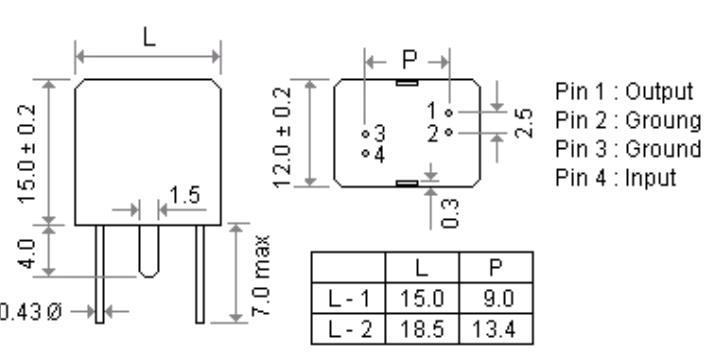
6 poles

8 poles

Thru - Hole Type (standard frequency 10.700 MHz) ; available frequency range (10.695 ~ 10.800 MHz)

Channel Spacing (KHz)	Model	No. of poles	Pass Bandwidth		Stop Bandwidth		Ripple dB (max.)	Insertion Loss dB (max.)	Guaranteed Attenuation		Terminating Impedance ohms // pF	Package	
			dB	KHz (min.)	dB	KHz (max.)			dB	KHz		Tandem set	One package
12.5	10M7.5A	2	3	± 3.75	20	± 18	0.5	1.5	35	±300 ~ ±1000	1.8K // 5.0	49T	
	10M7.5B	4	3	± 3.75	40	± 14	1.0	2.5	65	±300 ~ ±1000	1.8K // 4.5	49T a pair	
	10M7.5C	6	3	± 3.75	45	± 8.75	2.0	3.5	65	±12.5 ~ ±300	1.8K // 3.5	49T 3 pcs	L1
	10M7.5D	8	3	± 3.75	65	± 8.75	2.0	4.0	90	±12.5 ~ ±300	1.8K // 3.5	49T 4 pcs	L2
20.0	10M12A	2	3	± 6.0	18	± 25	0.5	2.0	35	±300 ~ ±1000	2.5K // 2.5	49T	
	10M12B	4	3	± 6.0	40	± 20	1.0	2.5	65	±300 ~ ±1000	2.5K // 1.5	49T a pair	
	10M12C	6	3	± 6.0	45	± 15	2.0	4.0	65	±20 ~ ±300	2.5K // 1.5	49T 3 pcs	L1
	10M12D	8	3	± 6.0	65	± 15	2.0	2.0	90	±20 ~ ±300	2.5K // 1.5	49T 4 pcs	L2
25.0	10M15A	2	3	± 7.5	18	± 25	0.5	1.5	35	±300 ~ ±1000	3.0K // 2.0	49T	
	10M15B	4	3	± 7.5	40	± 25	1.0	2.5	55	±300 ~ ±1000	3.0K // 1.5	49T a pair	
	10M15C	6	3	± 7.5	45	± 18	2.0	3.0	65	±25 ~ ±300	3.3K // 1.5	49T 3 pcs	L1
	10M15D	8	3	± 7.5	65	± 18	2.0	4.0	90	±25 ~ ±300	3.3K // 1.5	49T 4 pcs	L2
50.0	10M30A	2	3	± 15	15	± 50	0.5	1.5	30	±300 ~ ±1000	5.0K // 0	49T	
	10M30B	4	3	± 15	30	± 40	1.0	2.5	30	±300 ~ ±1000	5.5K // -1.0	49T a pair	
	10M30C	6	3	± 15	60	± 45	2.0	3.0	65	±45 ~ ±300	5.5K // -1.0	49T 3 pcs	L1
	10M30D	8	3	± 15	60	± 30	2.0	3.5	90	±50 ~ ±300	5.5K // -1.0	49T 4 pcs	L2

Part Number Format and Example

49T	49TMJ									
										
4 pole M.C.F. (Paired packages , Tandem set)	(L - 1) , (L - 2) --- One Package Type									
<p>Color dots for pair orientation match</p>  <p>User to provide Cc</p>	 <table border="1"> <thead> <tr> <th></th> <th>L</th> <th>P</th> </tr> </thead> <tbody> <tr> <td>L - 1</td> <td>15.0</td> <td>9.0</td> </tr> <tr> <td>L - 2</td> <td>18.5</td> <td>13.4</td> </tr> </tbody> </table>		L	P	L - 1	15.0	9.0	L - 2	18.5	13.4
	L	P								
L - 1	15.0	9.0								
L - 2	18.5	13.4								

M. C. F. [Monolithic Crystal Filters]

Part Number Format and Example

SMD Type Part Number Format			
[1]	[2]	[3]	[4]
Frequency Code	MQ	Width Code	Poles Code

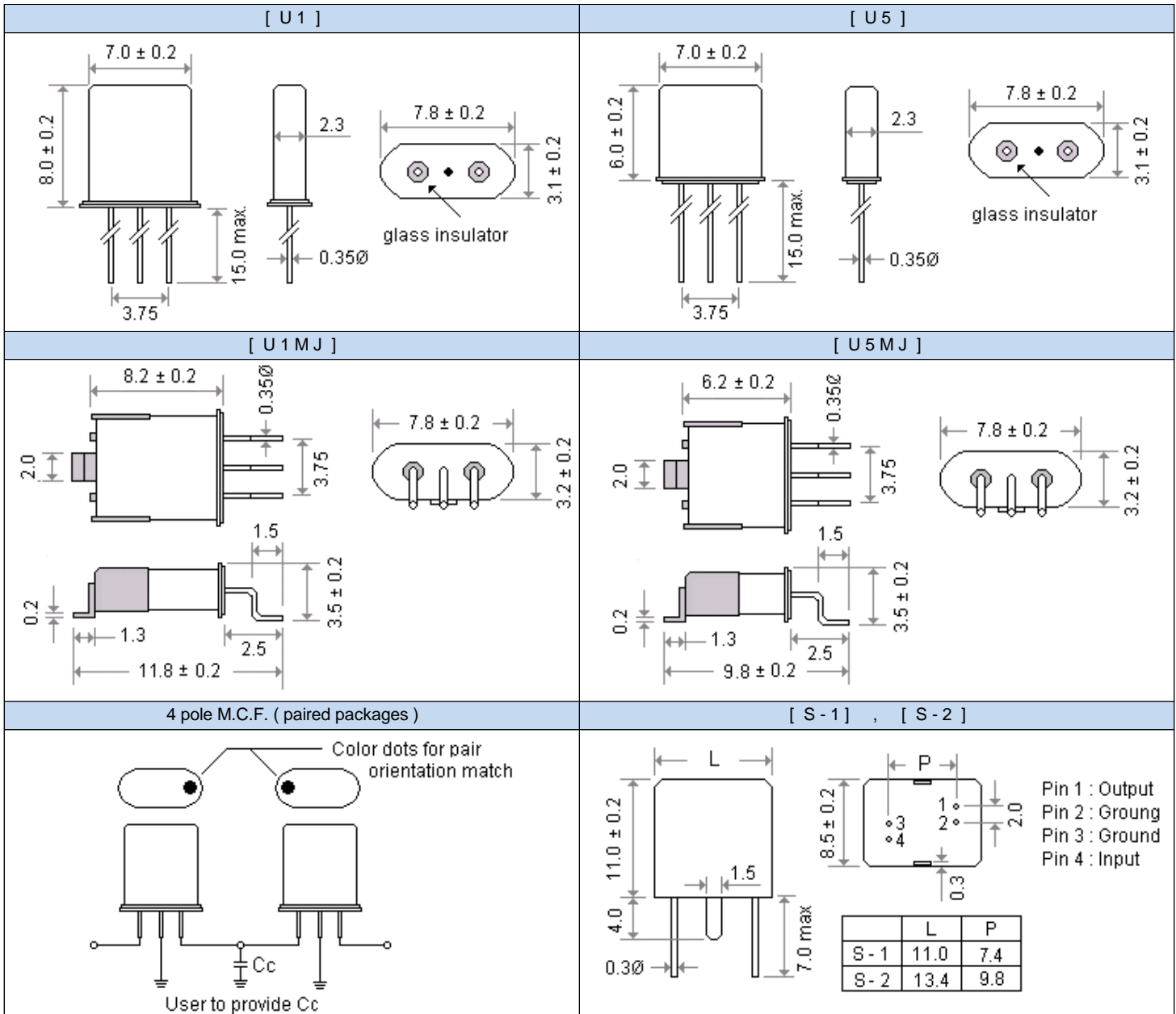
Examples	45	MQ	30	A
----------	----	----	----	---

Dip Type Part Number Format				
[1]	[2]	[3]	[4]	[5]
Frequency Code	M	Width Code	Poles Code	Holder Type

Examples	21.7	M	7.5	D	U5SM
----------	------	---	-----	---	------

[1]	Freq. code : " 10 " for 10.700MHz , " 21 " for 21.400MHz , " 21.7 " for 21.700MHz , " 45 " for 45.000MHz , Freq. code : If none standard freq. please show frequency with one decimal point .
[2]	" M " Dip Type series , " MQ " SMD Type (7.0 * 5.0 * 1.3 mm)
[3]	Pass band width (3dB) (min.) " 7.5 " for ± 3.75 KHz , " 15 " for ± 7.5 KHz , " 20 " for ± 10 KHz , " 30 " for ± 15 KHz ,
[4]	No. of poles " A " for 2 poles , " B " for 4 poles , " C " for 6 poles , " D " for 8 poles
[5]	Dip type holder type
[6]	Standard operating temperature range is -20°C to 70°C , If non-standard please enter the desired temp. range after " / " , for example " / -30+70 " : -30°C to 70°C

Package Dimensions (unit : mm)



Mercury www.mercury-crystal.com ■ Taiwan : Tel: (+886)-2-2406-2779 / sales-tw@mercury-crystal.com

■ USA : Tel: (+1)-909-466-0427 / sales-us@mercury-crystal.com ■ China : Tel: (+86)-512-5763-8100 / sales-cn@mercury-crystal.com