

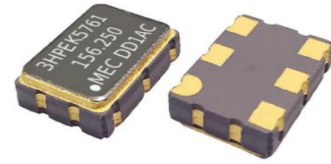
Superb phase noise differential oscillators

Differential

HPEK	HDEK	HCEK	SMD	2.5 V	3.3 V	Min. 13.5 MHz	Max. 220 MHz
LVPECL	LVDS	HCSL					

Features

- Noise improved version for H_EK-series
- Femto second integrated phase jitter (98 fs typical , 12 KHz to 20 MHz)
- Superior phase noise (-149 dBc/Hz at 100 KHz and -157 dBc/Hz at 10 MHz offset)



General specifications , at Ta=+25°C

Model	HPEK	HDEK	HCEK
Output Logic	LVPECL	LVDS	HCSL
Available Frequency Range	13.5 MHz ~ 60 MHz 90 MHz ~ 220 MHz	13.5 MHz ~ 60 MHz 90 MHz ~ 220 MHz	13.5 MHz ~ 60 MHz 90 MHz ~ 220 MHz
Supply Voltage (V _{DD})	---	+ 2.5 V ± 10% + 3.3 V ± 10%	+ 2.5 V ± 10% + 3.3 V ± 10%
Output Load	50 Ω into V _{DD} - 2.0V or Thevenin equivalent	100 Ω between output and complimentary output	50 Ω to ground on each output
Rise Time / Fall Time (20%→80% of waveform)	0.2 nsec (typ.) 0.4 nsec (max.)	0.2 nsec (typ.) 0.4 nsec (max.)	0.5 nsec (typ.) 0.8 nsec (max.)
Current Consumption	38 mA (typ.) , 60 mA (max.)	15 mA (typ.) , 35 mA (max.)	32 mA (typ.) , 40 mA (max.)
Output Logic " High " , " 1 "	V _{DD} - 1.03 (min.) , V _{DD} - 0.88 (max.)	1.4 V (typ.) , 1.6 V (max.)	0.5 V (min.) , 0.9 V (max.)
Output Logic " Low " , " 0 "	V _{DD} - 1.81 (min.) , V _{DD} - 1.62 (max.)	0.9 V (min.) , 1.1 V (typ.)	- 0.15 V (min.) , 0.15 V (max.)
Output Swing (single-end)	400 mV (min.)	250 mV (min.)	500 mV (min.)

Frequency Stability Codes	Frequency Stability over Operating Temperature Range	± 25 ppm	± 50 ppm	± 100 ppm	If non-standard , please enter the desired stability after the " C " or " I " represents . For example : " C20 " ± 20 ppm over -10°C to +70°C ; " I30 " ± 30 ppm over -40°C to +85°C
	Commercial (-10°C to +70°C)	A	B	C	
	Industrial (-40°C to +85°C)	D	E	F	

Start-up Time	1.0 msec. (typ.) , 5.0 msec (max.)						
Duty Cycle	50% ± 5%						
Storage Temperature	- 55°C to + 150°C						
Aging at Ta = +25°C	± 3 ppm (max.) first year						
RMS Jitter (12 KHz to 20 MHz)	Freq. output < 100MHz : 350 fsec (typ.) , [50MHz , 3.3V , LVDS] Freq. output > 100MHz : 98 fsec (typ.) , [156.250MHz , 3.3V , LVDS]						
Phase Noise [dBc / Hz (typ.)]	Offset	100 Hz	1 KHz	10 KHz	100 KHz	1 MHz	10 MHz
	50 MHz	-104	-134	-147	-153	-152	-157
	156.250 MHz	-93	-123	-140	-149	-152	-157
Output Enable / Disable Function	Enable	70% (min.) of V _{DD} to enable output. Enable time : 5 msec (max.)					
	Disable	30% (max.) of V _{DD} to disable output. Disable current : 10 uA (max.) [OE ≤ 0.3V] , Disable time : 0.2 usec (max.)					

Crystal Oscillators

HP_ [PECL Differential]	HD_ [LVDS Differential]	HC_ [HCSL Differential]
---------------------------	---------------------------	---------------------------

Part Number Format and Example

[1]	[2]	[3]	-	[4]	-	[5]
Supply Voltage	Holder Type	1 or 2		Frequency Stability		Center Frequency

Example	(1)	25	HCK536	1	-	C15	-	125.000
	(2)	18	HDK576	2	-	D	-	156.250
	(3)	3	HPK226	1	-	B	-	212.500
	(4)	25	HCJK536	1	-	A	-	125.000
	(5)	18	HDEK576	1	-	I30	-	156.250

- Ex (1) : 25HCK5361 - C15 - 125.000 [+2.5V , HCK type , HCSL output , 5.0 x 3.2 mm size , OE on pad 1 , ±15 ppm from -10°C to 70°C , 125.000MHz]
 Ex (2) : 18HDK5762 - D - 156.250 [+1.8V , HDK type , LVDS output , 7.0 x 5.0 mm size , OE on pad 2 , ±25 ppm from -40°C to 85°C , 156.250MHz]
 Ex (3) : 3HPK2261 - B - 212.500 [+3.3V , HPK type , LVPECL output , 2.5 x 2.0 mm size , OE on pad 1 , ±50 ppm from -10°C to 70°C , 212.500MHz]
 Ex (4) : 25HCJK5361 - A - 125.000 [+2.5V , HCJK type , HCSL output , 5.0 x 3.2 mm size , OE on pad 1 , ±25 ppm from -10°C to 70°C , 125.000MHz]
 Ex (5) : 18HDEK5761 - I30 - 156.250 [+1.8V , HDEK type , LVDS output , 7.0 x 5.0 mm size , OE on pad 1 , ±30 ppm from -40°C to 85°C , 156.250MHz]

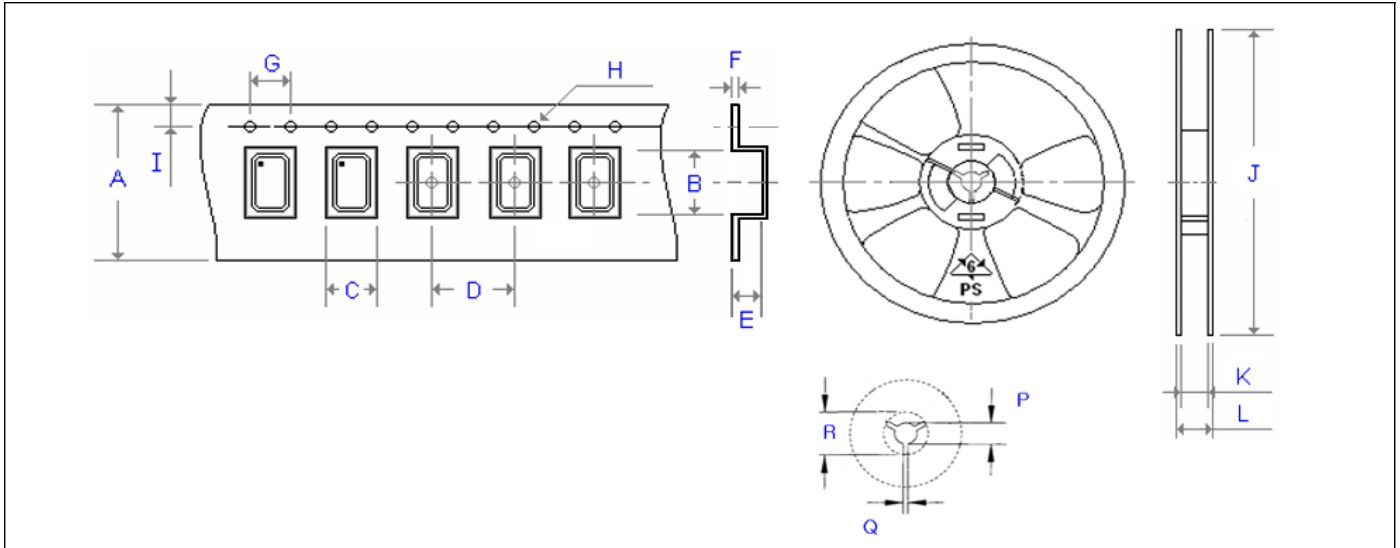
[1]	Supply voltage , " 18 " for +1.8V ; " 25 " for +2.5V ; " 3 " for +3.3V
[2]	Holder Type
[3]	" 1 " : OE function on pad # 1 , " 2 " : OE function on pad # 2
[4]	-10°C ~ 70 °C " A " ± 25ppm ; " B " ± 50ppm ; " C " ± 100ppm ; If non-standard please enter the desired stability after " C " , for example " C15 " : represents ±15ppm over -10 to +70°C
	-40°C ~ 85 °C " D " ± 25ppm ; " E " ± 50ppm ; " F " ± 100ppm ; If non-standard please enter the desired stability after " I " , for example " I30 " : represents ± 30ppm over -40 to +85°C
[5]	Frequency in MHz

Outline Dimensions (Unit : mm) , Suggested pad Layout for SMDs , Test Circuits

<p style="text-align: center;">[H_K226]</p>	<p style="text-align: center;">[H_K326]</p>	
<p style="text-align: center;">[H_K536]</p>	<p style="text-align: center;">[H_K576]</p>	
LVPECL Test Circuit	LVDS Test Circuit	HCSL Test Circuit
<p>$V_{DD} = 3.3V$; $R_1 = R_3 = 127 \Omega$; $R_2 = R_4 = 82.5 \Omega$ $V_{DD} = 2.5V$; $R_1 = R_3 = 250 \Omega$; $R_2 = R_4 = 62.5 \Omega$</p>		<p>$R_s = 0$ to 33Ω to minimize ringing in application.</p>

Emboss Taping and Reel Specifications

[Crystal Oscillator Units]



Carrier Type Dimensions (unit : mm) ±0.3mm

	A	B	C	D	E	F	G	H	I	pcs / reel
H21	8.00	2.30	1.90	4.00	0.90	0.25	4.00	Ø 1.50	1.75	3000
H_22	8.00	2.80	2.25	4.00	1.10	0.30	4.00	Ø 1.50	1.75	3000
H_32	8.00	3.40	2.70	4.00	1.40	0.25	4.00	Ø 1.50	1.75	3000
H_53	12.00	5.30	3.60	8.00	1.40	0.30	4.00	Ø 1.50	1.75	1000
H_57	16.00	7.30	5.30	8.00	1.90	0.32	4.00	Ø 1.50	1.75	1000
SWO	16.00	7.20	5.40	8.00	1.80	0.32	4.00	Ø 1.50	1.75	1000
H_226	8.00	2.80	2.25	4.00	1.10	0.30	4.00	Ø 1.50	1.75	3000
H_326	8.00	3.40	2.70	4.00	1.40	0.25	4.00	Ø 1.50	1.75	3000
H_536	12.00	5.30	3.60	8.00	1.40	0.30	4.00	Ø 1.50	1.75	1000
H_576	16.00	7.30	5.30	8.00	1.90	0.32	4.00	Ø 1.50	1.75	1000
H_328	8.00	3.40	2.70	4.00	1.40	0.25	4.00	Ø 1.50	1.75	3000
H_538	12.00	5.40	3.60	8.00	1.70	0.30	4.00	Ø 1.50	1.75	1000
H_578	16.00	7.30	5.30	8.00	1.90	0.32	4.00	Ø 1.50	1.75	1000
H_43	24.00	11.80	10.00	16.00	5.00	0.30	4.00	Ø 1.50	1.75	500

Reel Dimensions (unit : mm) ±2mm

	J	K	L	P	Q	R	pcs / reel
H21	180.00	9.00	12.00	13.00	2.50	20.20	3000
H_22	180.00	8.40	11.40	13.00	2.50	20.20	3000
H_32	180.00	9.00	12.00	13.00	2.50	20.20	3000
H_53	180.00	13.00	16.00	13.00	2.50	20.20	1000
H_57	180.00	17.20	19.30	13.00	2.50	20.20	1000
SWO	180.00	17.20	19.30	13.00	2.50	20.20	1000
H_226	180.00	8.40	11.40	13.00	2.50	20.20	3000
H_326	180.00	9.00	12.00	13.00	2.50	20.20	3000
H_536	180.00	13.00	16.00	13.00	2.50	20.20	1000
H_576	180.00	17.20	19.30	13.00	2.50	20.20	1000
H_328	180.00	8.00	12.00	13.00	2.50	20.20	3000
H_538	180.00	13.00	16.00	13.00	2.50	20.20	1000
H_578	180.00	17.20	19.30	13.00	2.50	20.20	1000
H_43	330.00	24.50	29.10	13.00	2.50	20.20	500