

M. C. F. [Monolithic Crystal Filters]

U1
[7.8 * 3.1 * 8.0 mm]

U5
[7.8 * 3.1 * 6.0 mm]

Dip Type
Jacket Type

Fund.

21.4 MHz

45.0 MHz

2 poles

4 poles

6 poles

8 poles

Thru - Hole Type (standard frequency 10.700 MHz) ; available frequency range (10.695 ~ 10.800 MHz)

Channel Spacing (KHz)	Model	No. of poles	Pass Bandwidth		Stop Bandwidth		Ripple	Insertion Loss	Guaranteed Attenuation		Terminating Impedance	Package	
			dB	KHz (min.)	dB	KHz (max.)	dB (max.)	dB (max.)	dB	KHz	ohms // pF	Tandem set	One package
12.5	21M7.5A	2	3	± 3.75	20	± 18	0.5	1.5	35	±300 ~ ±1000	850 // 6.0	U-1 , U-5	
	21M7.5B	4	3	± 3.75	40	± 15	1.0	2.5	65	±300 ~ ±1000	850 // 5.0	a pair (U -1,U-5)	
	21M7.5C	6	3	± 3.75	45	± 8.75	2.0	3.0	65	±12.5 ~ ±300	850 // 5.0	3 pcs	S1
	21M7.5D	8	3	± 3.75	65	± 8.75	2.0	4.0	90	±12.5 ~ ±300	850 // 5.0	4 pcs	S2
20.0	21M12A	2	3	± 6.0	20	± 25	0.5	1.5	35	±300 ~ ±1000	1.2K // 3.0	U-1 , U-5	
	21M12B	4	3	± 6.0	40	± 20	1.0	2.5	65	±300 ~ ±1000	1.2K // 2.5	a pair (U -1,U-5)	
	21M12C	6	3	± 6.0	45	± 15	2.0	3.0	65	±20 ~ ±300	1.2K // 2.5	3 pcs	S1
	21M12D	8	3	± 6.0	65	± 15	2.0	4.0	90	±20 ~ ±300	1.2K // 2.5	4 pcs	S2
25.0	21M15A	2	3	± 7.5	18	± 25	0.5	1.5	35	±300 ~ ±1000	1.5K // 2.0	U-1 , U-5	
	21M15B	4	3	± 7.5	40	± 25	1.0	2.5	65	±300 ~ ±1000	1.5K // 2.0	a pair (U -1,U-5)	
	21M15C	6	3	± 7.5	45	± 18	2.0	3.0	65	±25 ~ ±300	1.5K // 2.0	3 pcs	S1
	21M15D	8	3	± 7.5	65	± 18	2.0	4.0	90	±25 ~ ±300	1.5K // 2.0	4 pcs	S2
50.0	21M30A	2	3	± 15	15	± 45	0.5	1.5	35	±300 ~ ±1000	1.5K // 1.0	U-1 , U-5	
	21M30B	4	3	± 15	40	± 50	1.0	2.5	65	±300 ~ ±1000	2.2K // 0.5	a pair (U -1,U-5)	
	21M30C	6	3	± 15	45	± 35	2.0	3.0	65	±45 ~ ±300	2.2K // 0.5	3 pcs	S1
	21M30D	8	3	± 15	65	± 35	2.0	4.0	90	±50 ~ ±300	2.2K // 0.5	4 pcs	S2

Thru - Hole Type [standard frequency 45.000 MHz(Fundamental mode)] ; available frequency range (45.000 ~ 45.100 MHz)

Channel Spacing (KHz)	Model	No. of poles	Pass Bandwidth		Stop Bandwidth		Ripple	Insertion Loss	Guaranteed Attenuation		Terminating Impedance	Package	
			dB	KHz (min.)	dB	KHz (max.)	dB (max.)	dB (max.)	dB	KHz	ohms // pF	Type	
12.5	45M7.5A	2	3	± 3.75	10	± 12.5	1.0	2.0	65	±300 ~ ±1000	200 // 4.0	U5	U1
	45M7.5B	4	3	± 3.75	30	± 12.5	1.0	4.0	80	±300 ~ ±1000	350 // 6.5	U5 a pair	U1 a pair
25.0	45M15A	2	3	± 7.5	15	± 25	1.0	2.0	35	±300 ~ ±1000	650 // 3.0	U5	U1
	45M15B	4	3	± 7.5	30	± 25	1.0	3.0	80	±300 ~ ±1000	650 // 3.0	U5 a pair	U1 a pair
50.0	45M30A	2	3	± 15	15	± 60	1.5	2.5	35	±300 ~ ±1000	1.2K // 0	U5	U1
	45M30B	4	3	± 15	30	± 50	1.0	3.0	80	±300 ~ ±1000	1.2K // 0.7	U5 a pair	U1 a pair

Mercury www.mercury-crystal.com ■ Taiwan : Tel: (+886)-2-2406-2779 / sales-tw@mercury-crystal.com

■ USA : Tel: (+1)-909-466-0427 / sales-us@mercury-crystal.com ■ China : Tel: (+86)-512-5763-8100 / sales-cn@mercury-crystal.com

M. C. F. [Monolithic Crystal Filters]

Part Number Format and Example

SMD Type Part Number Format			
[1]	[2]	[3]	[4]
Frequency Code	MQ	Width Code	Poles Code

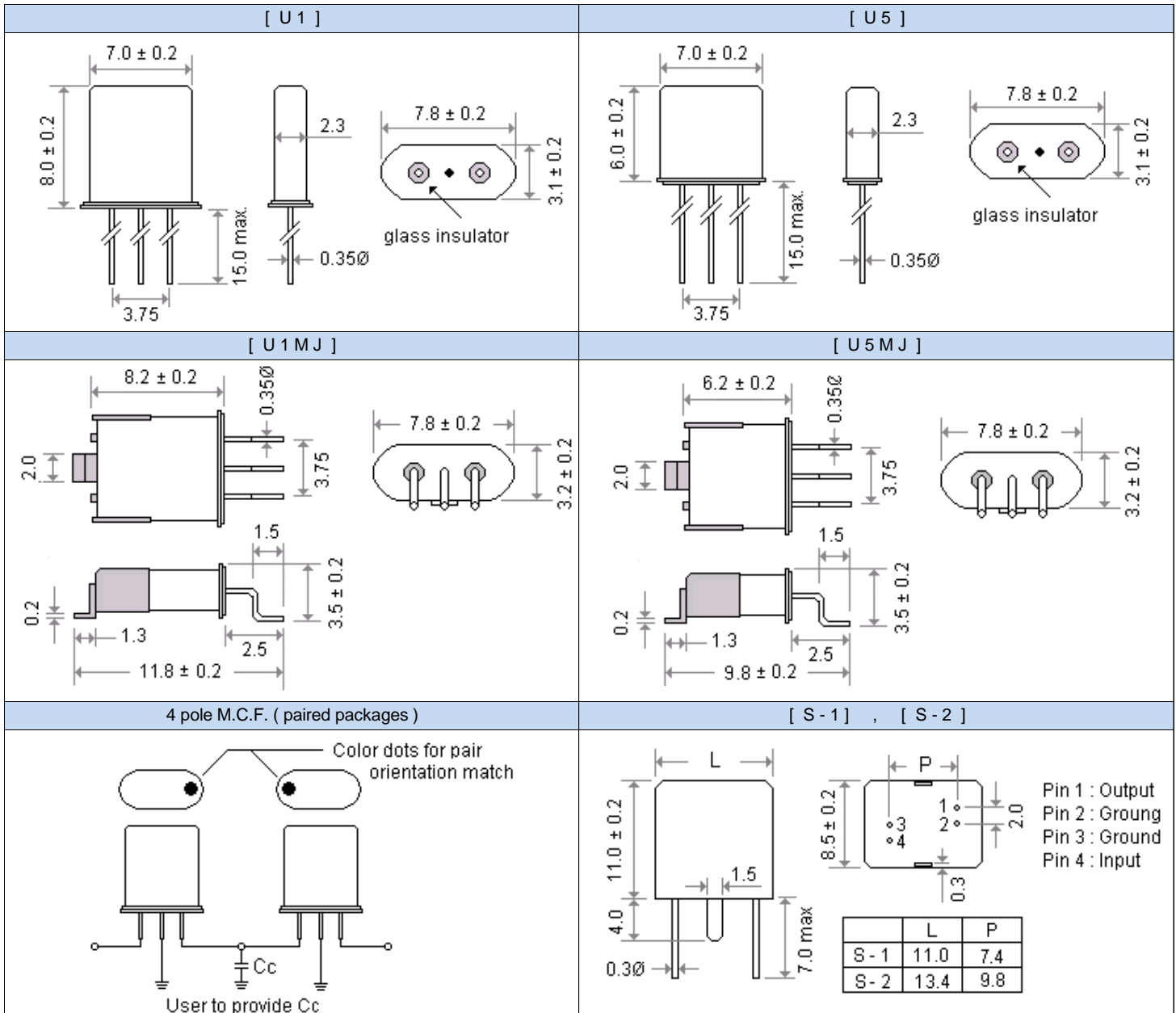
Examples	45	MQ	30	A
----------	----	----	----	---

Dip Type Part Number Format				
[1]	[2]	[3]	[4]	[5]
Frequency Code	M	Width Code	Poles Code	Holder Type

Examples	21.7	M	7.5	D	U5SM
----------	------	---	-----	---	------

[1]	Freq. code : " 10 " for 10.700MHz , " 21 " for 21.400MHz , " 21.7 " for 21.700MHz , " 45 " for 45.000MHz , Freq. code : If none standard freq. please show frequency with one decimal point .
[2]	" M " Dip Type series , " MQ " SMD Type (7.0 * 5.0 * 1.3 mm)
[3]	Pass band width (3dB) (min.) " 7.5 " for ± 3.75 KHz , " 15 " for ± 7.5 KHz , " 20 " for ± 10 KHz , " 30 " for ± 15 KHz ,
[4]	No. of poles " A " for 2 poles , " B " for 4 poles , " C " for 6 poles , " D " for 8 poles
[5]	Dip type holder type
[6]	Standard operating temperature range is -20°C to 70°C , If non-standard please enter the desired temp. range after " / " , for example " / -30+70 " : -30°C to 70°C

Package Dimensions (unit : mm)



Mercury www.mercury-crystal.com ■ Taiwan : Tel: (+886)-2-2406-2779 / sales-tw@mercury-crystal.com

■ USA : Tel: (+1)-909-466-0427 / sales-us@mercury-crystal.com ■ China : Tel: (+86)-512-5763-8100 / sales-cn@mercury-crystal.com